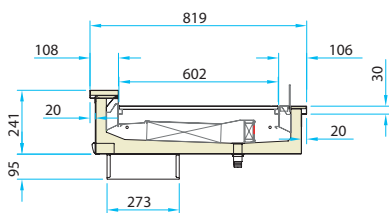


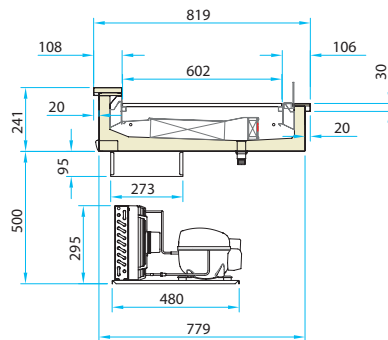
**CUVES ET VITRINES REFRIGEREES
TABLETTE ARRIERE HAUTE
ABACOLD THREE**

P80

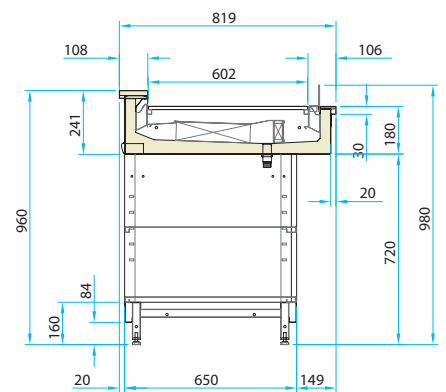
TN



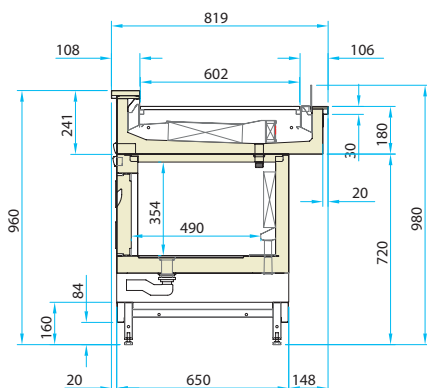
CUVE
RV VENTILE
RV+PLAN CHAUD
RV-CHOCOLAT
TC - CHAUD SEC



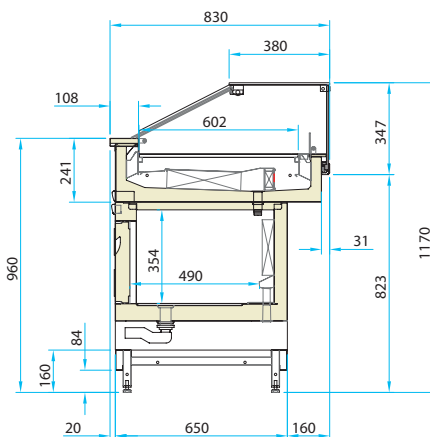
CUVE + GROUPE
RV VENTILE
RV+PLAN CHAUD
RV-CHOCOLAT
TC - CHAUD SEC



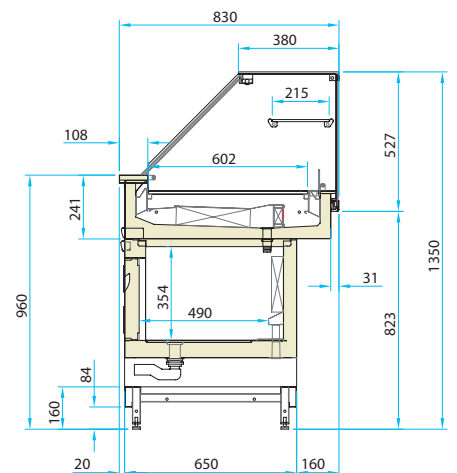
VITRINE SUR CHASSIS
RV VENTILE
RV+PLAN CHAUD
RV-CHOCOLAT
TC - CHAUD SEC



**VITRINE SUR CHASSIS +
RESERVE**
RV VENTILE
RV+PLAN CHAUD
RV-CHOCOLAT



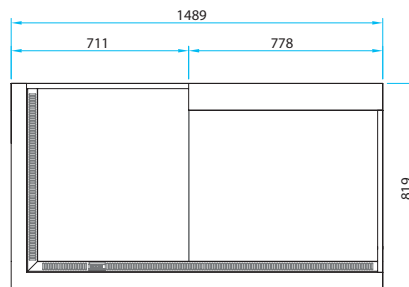
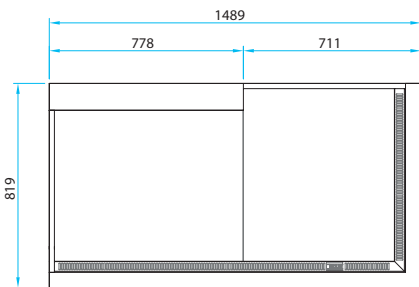
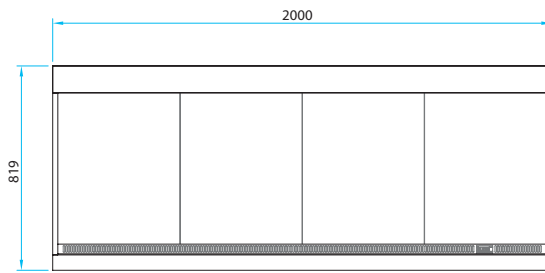
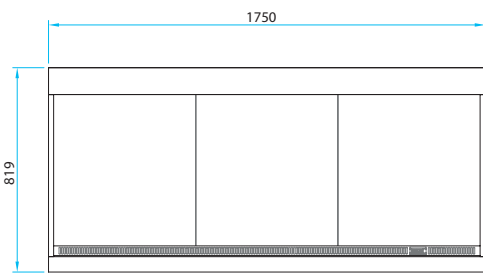
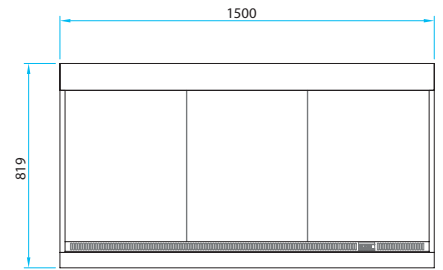
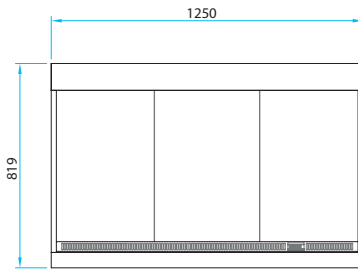
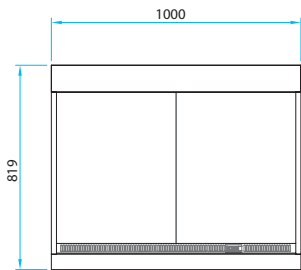
**VITRINE SUR CHASSIS
VITRAGE BAS**
RV VENTILE
RV+PLAN CHAUD
RV-CHOCOLAT
TC - CHAUD SEC



**VITRINE SUR CHASSIS
VITRAGE BAS**
RV VENTILE
RV+PLAN CHAUD
RV-CHOCOLAT
TC - CHAUD SEC

DIMENSIONS

P 80

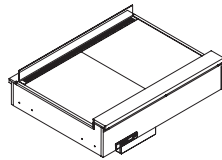


CUVE REFRIGEREE FROID VENTILE

P 80

RV - VENTILE

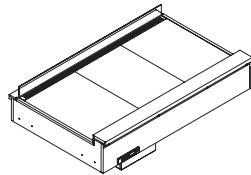
L100



UCB TTHNT228A0000

UCR TTHNT228S0000

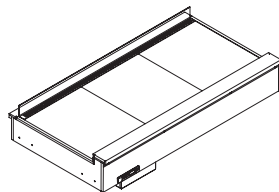
L125



UCB TTHNT328A0000

UCR TTHNT328S0000

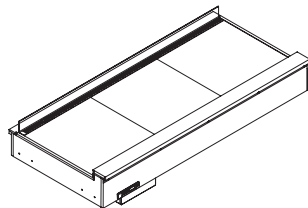
L150



UCB TTHNT428A0000

UCR TTHNT428S0000

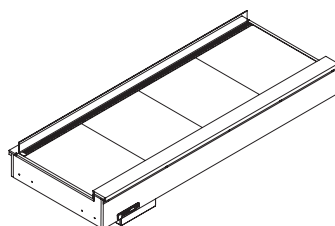
L175



UCB TTHNT528A0000

UCR TTHNT528S0000

L200

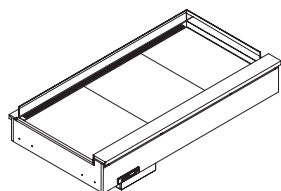


UCB TTHNT628A0000

UCR TTHNT628S0000

RV - VENTILE

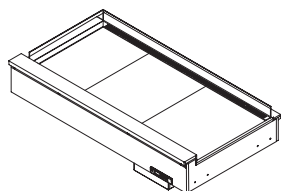
TER DX



UCB TTHNT728A0000

UCR TTHNT728S0000

TER SX



UCB TTHNT828A0000

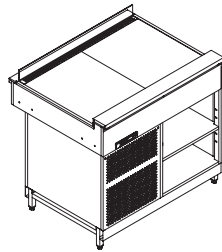
UCR TTHNT828S0000

VITRINE REFRIGEREE + CHASSIS FROID VENTILE

P 80

RV - VENTILE

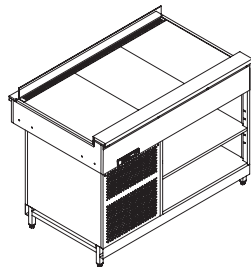
L100



UCB TTHNT298AB000

UCR TTHNT298SB000

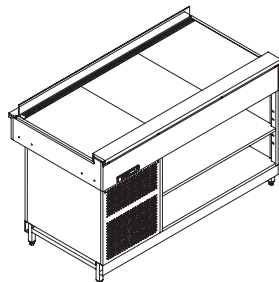
L125



UCB TTHNT398AB000

UCR TTHNT398SB000

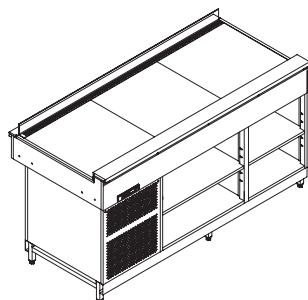
L150



UCB TTHNT498AB000

UCR TTHNT498SB000

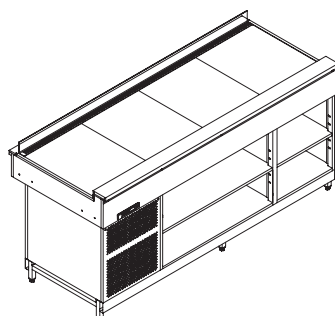
L175



UCB TTHNT598AB000

UCR TTHNT598SB000

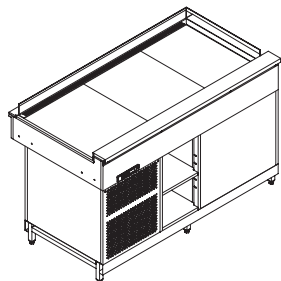
L200



UCB TTHNT698AB000

UCR TTHNT698SB000

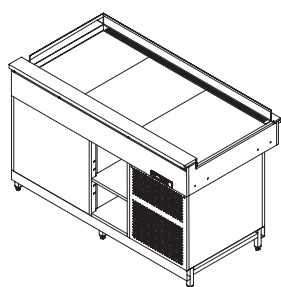
RV - VENTILE



TER DX

UCB TTHNT798AB000

UCR TTHNT798SB000



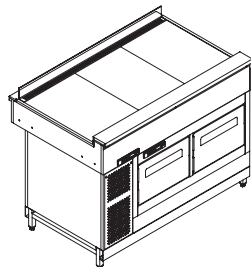
TER SX

UCB TTHNT898AB000

UCR TTHNT898SB000

RV - VENTILE

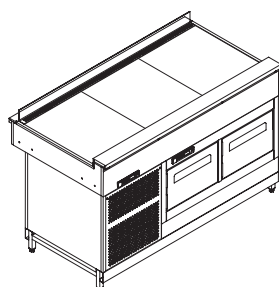
125 2P



UCR

TTHNT398SC000

150 2P



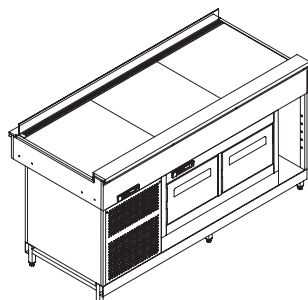
UCB

TTHNT498AC000

UCR

TTHNT498SC000

175 2P



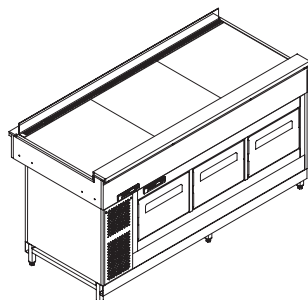
UCB

TTHNT598AC000

UCR

TTHNT598SC000

175 3P



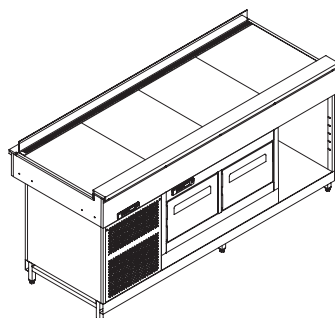
UCB

TTHNT598AC001

UCR

TTHNT598SC001

200 2P



UCB

TTHNT698AC000

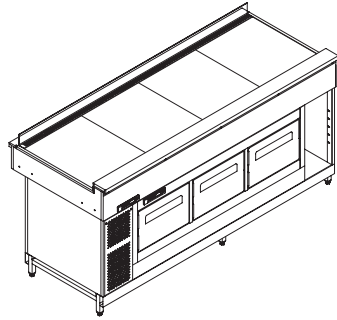
UCR

TTHNT698SC000

VITRINE REFRIGEREE + CHASSIS FROID VENTILE AVEC RESERVE

P 80

RV - VENTILE



200 3P

UCB TTHNT698AC001

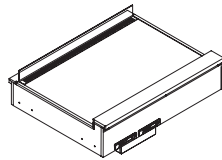
UCR TTHNT698SC001

CUVE REFRIGERE FROID VENTILE + PLAN CHAUD

P 80

RV - VENTILE + PLAN CHAUD

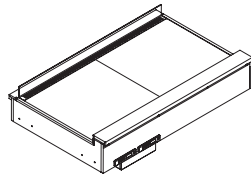
L100



UCB TTHQT228A0000

UCR TTHQT228S0000

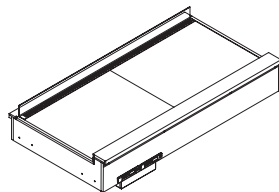
L125



UCB TTHQT328A0000

UCR TTHQT328S0000

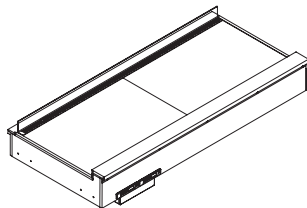
L150



UCB TTHQT428A0000

UCR TTHQT428S0000

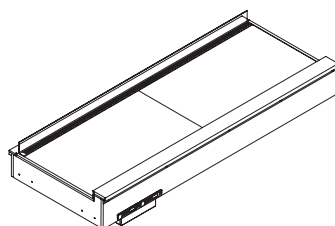
L175



UCB TTHQT528A0000

UCR TTHQT528S0000

L200



UCB TTHQT628A0000

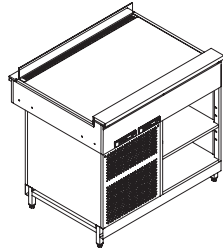
UCR TTHQT628S0000

VITRINE REFRIGEREE VENTILEE AVEC PLAN CHAUD

P 80

RV - VENTILE + PLAN CHAUD

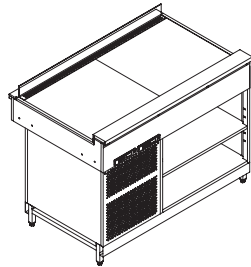
L100



UCB TTHQT298AB000

UCR TTHQT298SB000

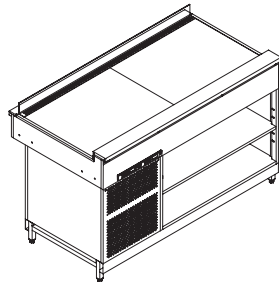
L125



UCB TTHQT398AB000

UCR TTHQT398SB000

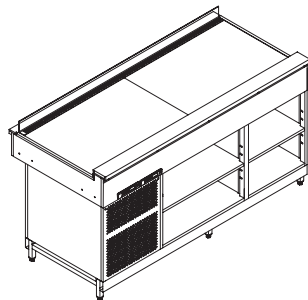
L150



UCB TTHQT498AB000

UCR TTHQT498SB000

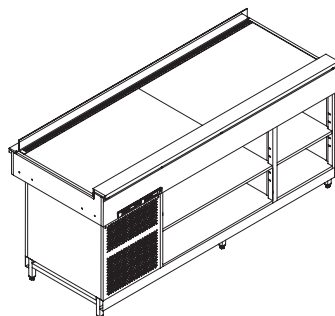
L175



UCB TTHQT598AB000

UCR TTHQT598SB000

L200



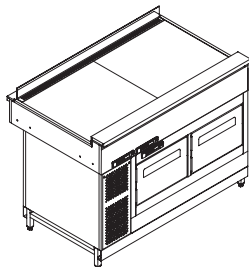
UCB TTHQT698AB000

UCR TTHQT698SB000

VITRINE REFRIGEREE VENTILEE AVEC PLAN CHAUD + RESERVE

RV - VENTILE+PLANCHAUD

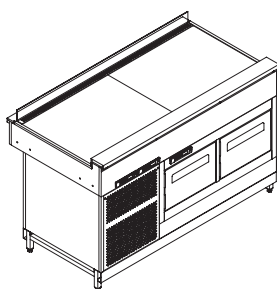
125 2P



UCR

TTHQT398SC000

150 2P



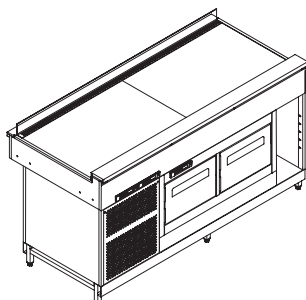
UCB

TTHQT498AC000

UCR

TTHQT498SC000

175 2P



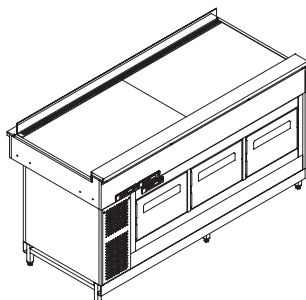
UCB

TTHQT598AC000

UCR

TTHQT598SC000

175 3P



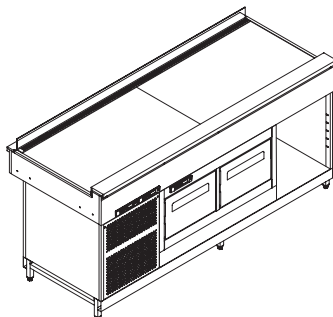
UCB

TTHQT598AC001

UCR

TTHQT598SC001

200 2P



UCB

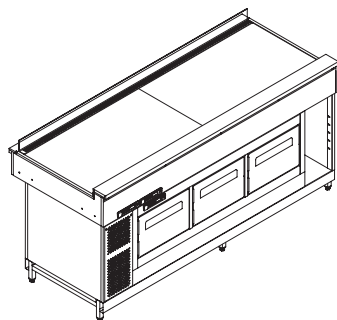
TTHQT698AC000

UCR

TTHQT698SC000

VITRINE REFRIGEREE VENTILEE AVEC PLAN CHAUD +
RESERVE

RV - VENTILE+PLAN CHAUD



200 3P

UCB TTHQT698AC001

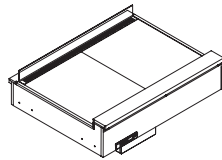
UCR TTHQT698SC001

CUVE REFRIGEREE VENTILEE CHOCOLAT

P 80

RV - CHOCOLAT

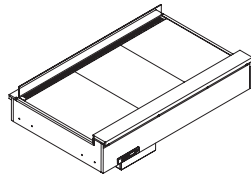
L100



UCB TTHRT228A0000

UCR TTHRT228S0000

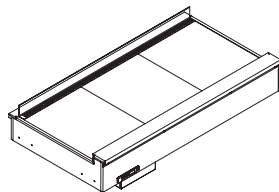
L125



UCB TTHRT328A0000

UCR TTHRT328S0000

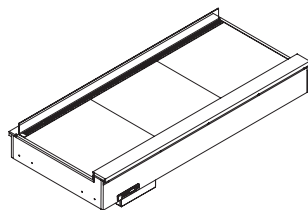
L150



UCB TTHRT428A0000

UCR TTHRT428S0000

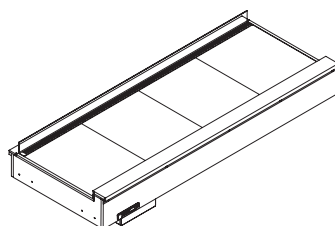
L175



UCB TTHRT528A0000

UCR TTHRT528S0000

L200



UCB TTHRT628A0000

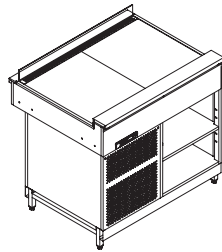
UCR TTHRT628S0000

VITRINE REFRIGEREE CHOCOLAT + CHASSIS

P 80

RV - CHOCOLAT

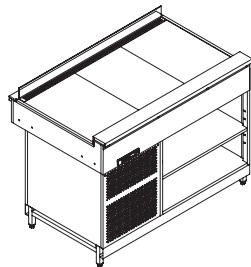
L100



UCB TTHRT298AB000

UCR TTHRT298SB000

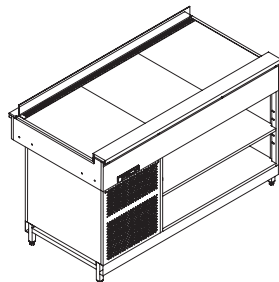
L125



UCB TTHRT398AB000

UCR TTHRT398SB000

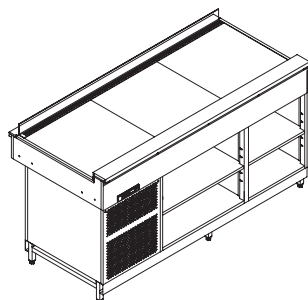
L150



UCB TTHRT498AB000

UCR TTHRT498SB000

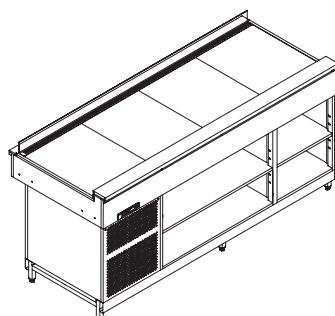
L175



UCB TTHRT598AB000

UCR TTHRT598SB000

L200



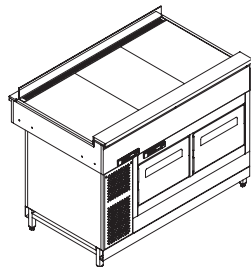
UCB TTHRT698AB000

UCR TTHRT698SB000

VITRINE REFRIGEREE CHOCOLAT + CHASSIS + RESERVE FROIDE

RV - CHOCOLAT

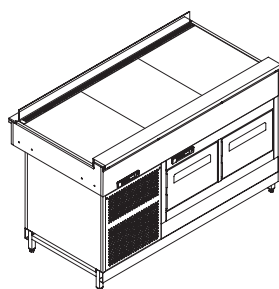
125 2P



UCR

TTHRT398SC000

150 2P



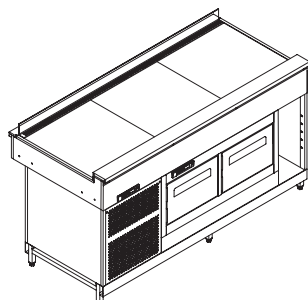
UCB

TTHRT498AC000

UCR

TTHRT498SC000

175 2P



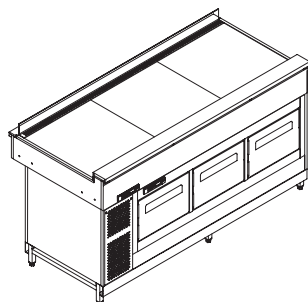
UCB

TTHRT598AC000

UCR

TTHRT598SC000

175 3P



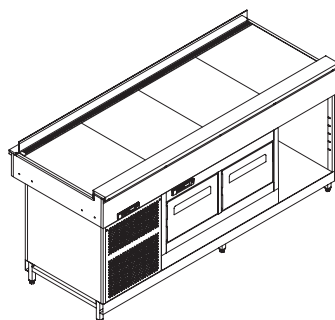
UCB

TTHRT598AC001

UCR

TTHRT598SC001

200 2P



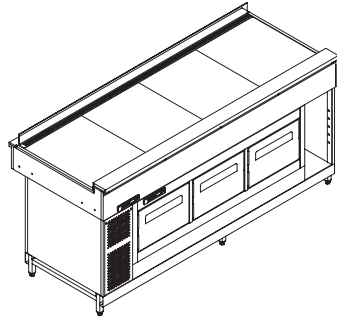
UCB

TTHRT698AC000

UCR

TTHRT698SC000

RV - CHOCOLAT



UCB TTHRT698AC001

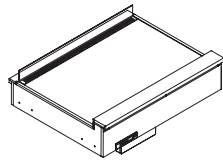
UCR TTHRT698SC001

CUVE CHAUDE SECHE

P 80

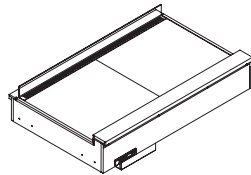
TC - PLAN CHAUD

L100



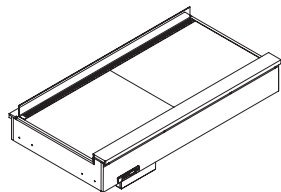
TTHST228S0000

L125



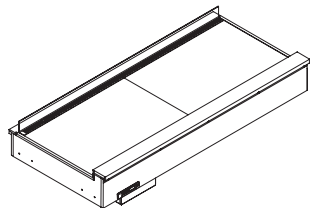
TTHST328S0000

L150



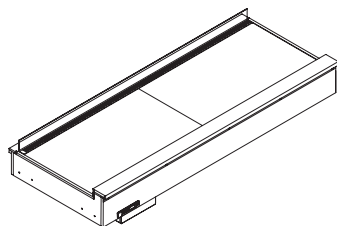
TTHST428S0000

L175



TTHST528S0000

L200



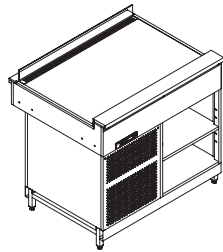
TTHST628S0000

CUVE CHAUDE SECHE + CHASSIS

P 80

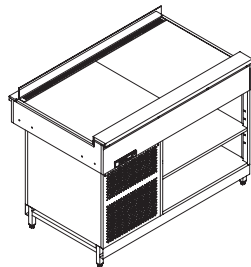
TC - PLAN CHAUD

L100



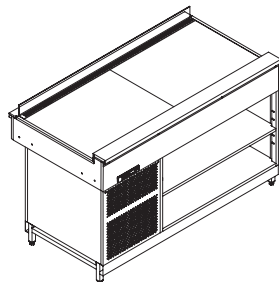
TTHST298SB000

L125



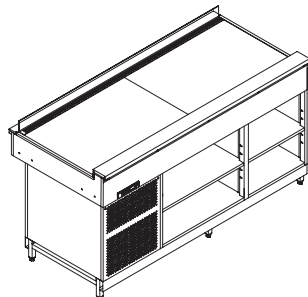
TTHST398SB000

L150



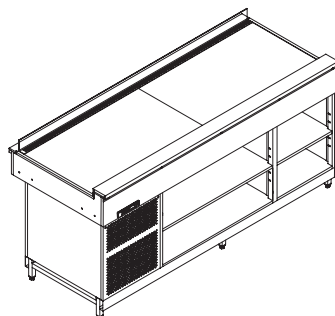
TTHST498SB000

L175



TTHST598SB000

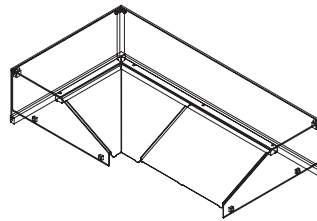
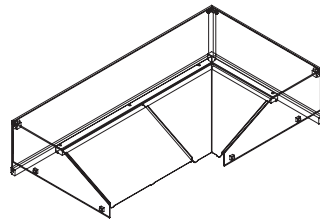
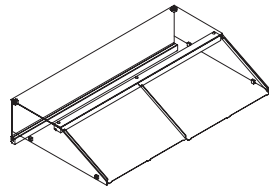
L200



TTHST698SB000

ACCESSOIRES

VITRAGE BAS + LED



L100

L125

L150

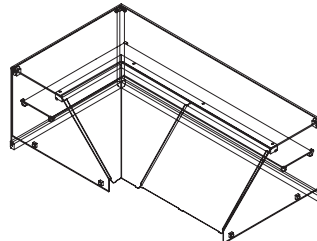
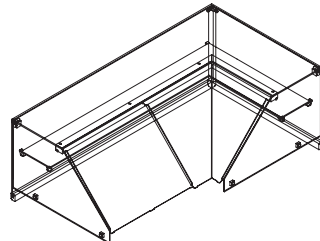
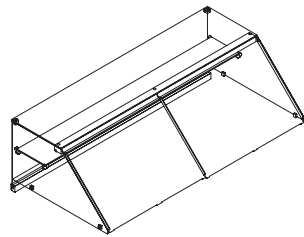
L175

L200

TER DX

TER SX

VITRAGE HAUT
1 ETAGERE
LED



L100

L125

L150

L175

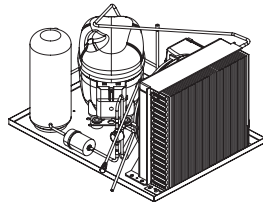
L200

TER DX

TER SX

GROUPE FRIGORIFIQUE A DISTANCE

GROUPE50HZ



L100 9004770800000

L125 9004770800001

L150 9004770800002

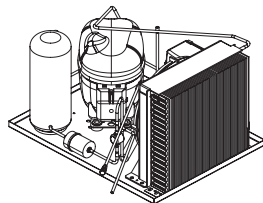
L175 9004770800003

L200 9004770800004

TER DX

TER SX

GROUPE 50 HZ
CHOCOLAT



L100 9004770800005

L125 9004770800006

L150 9004770800007

L175 9004770800008

L200 9004770800009

TER DX

TER SX