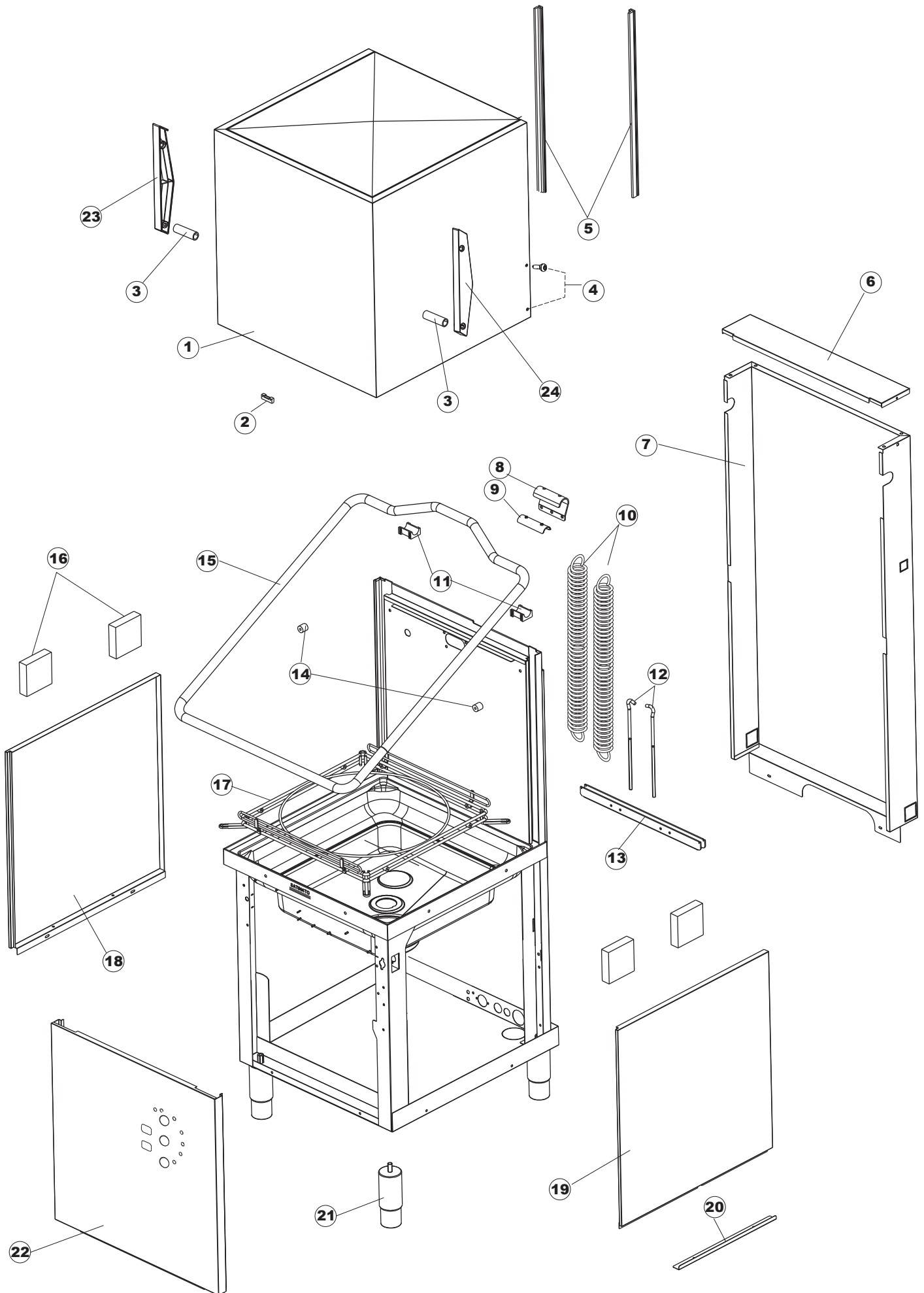


ERSATZTEILKATALOG
CATALOGUE PIECES DETACHEES
CATALOGO PARTI RICAMBIO
CATALOGO DE PIEZAS DE RECAMBIO
CATALOGO PEÇAS DE REPOSICAO

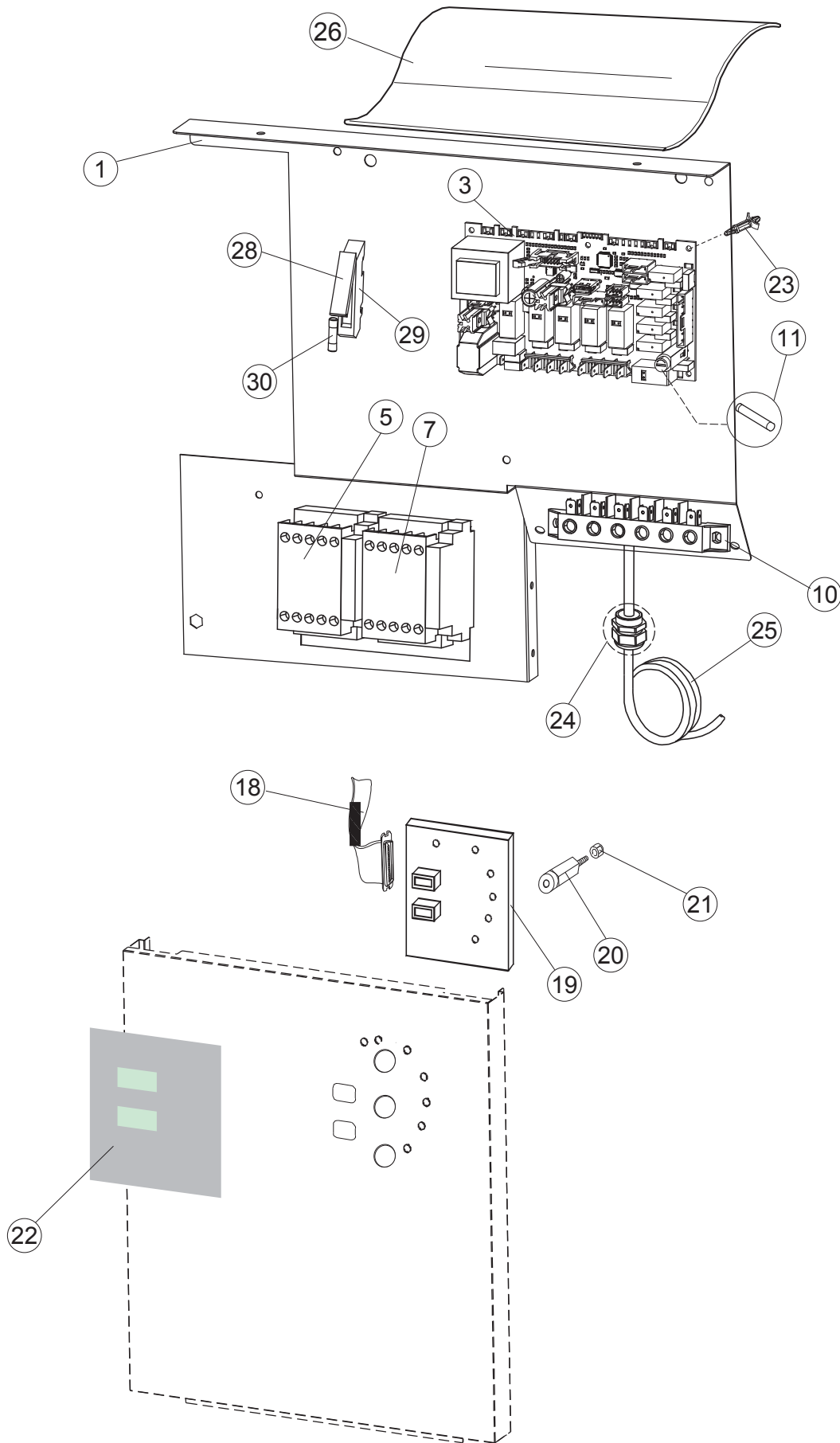
LAVE VAISSELLE T110E



Listino componenti per pagina 1

1	74141	CAPPA PER LAVASTOVIGLIE A CAPOT HOTTE POUR LAVE-VAISSELLES A CAPOTE HAUBE FUER DURCHSCHUBGESCHIRRSPUELER STANDARD HOOD FOR HOOD-TYPE DISHWASHER CAMPANA	
2	927088	MAGNETE PER MICROINTERRUPTORE CAPP MAGNETO POUR MICRO HOTTE MAGNET FÜR MIKROSCHALTER MAGNET FOR HOOD MICROSWITCH IMAN PARA MICROINTERRUPTOR	
3	70212	DISTANZIALE entretoise Abstandhalter SPACER espaciador	
4	80998	VITE PLASTICA M4X6 (DIN933) GOLD VIS SCHRAUBE, KUNST. M4X6 (DIN933) GOLD SCREW tornillo	
5	74068	GUIDA CAPP L=638 guide coulissant CAPOT HAUBE Schiebeführung HOOD DRIVE guía de deslizamiento CAPUCHA	
6	80638	PANNELLO POSTERIORE SUPERIORE PANNEAU ARRIERE SUPERIOR OBEREN RÜCKSEITE TOP BACK PANEL PANEL TRASERO SUPERIOR	
7	74162	PANNELLO POSTERIORE PANNEAU ARRIERE RUECKWAND BACK PANEL PANEL TRASERO	
8	80275	STAFFA AGGANCIOLLE ST - FINITA ETRIER ACCROCHAGE RESSORTS ST - COMPLET WINKEL COIL HOOKING BRACKET - COMPLETE ESCUADRA	
9	80277	PATTINO AGGANCIOLLE PATIN ACCROCHAGE RESSORTS WINKEL SPRING HOOKING SLIDE ESCUADRA	
10	926007	MOLLA ACCIAIO A TRAZIONE PER LAVASTOVI- RESSORT DE TRACTION EN ACIER POUR LAVE- SPANNFEDER HAUBE f5 100/120/140 EXTENSION STEEL SPRING FOR DISHWASHER MUELLE TRACC. CAPOTA f5 100/120/140	
11	80190	SQUADRA SUPP.MANIGLIONE EQUERRE WINKEL, HALTER FÜR GRIFF BRACKET ESCUADRA SOP. MANIJA	
12	926009	GANCIO DI REGOLAZIONE MOLLE CAPP CROCHET DE REGLAGE RESSORTS HAKEN, FEDERREGUL. 100/120/140 SPRING ADJUSTMENT HOOK GANCHO REGULACION MUELLE	
13	74923	STAFFA DI SUPPORTO MOLLE EQUERRE DE SOUTIEN RESSORT BALKENTRÄGER ZUSAMMENBAUFEDER HOLDER TENSION SPRING APOYO MUELLE ENSAMBLADO	
14	80105	TAMPONE FERMA CAPP SHOCK-ABSORBER FOR CAPOT PUFFER FÜR DURCHSCHUBSPÜLAUTOM. PARE-CHOCS CAPOT GUARDAGOLPES CAPOT	
	<u>Recommended spare parts</u>		
15	74120	MANIGLIONE BRANCARD HANDGRIFF HANDLE ASA	

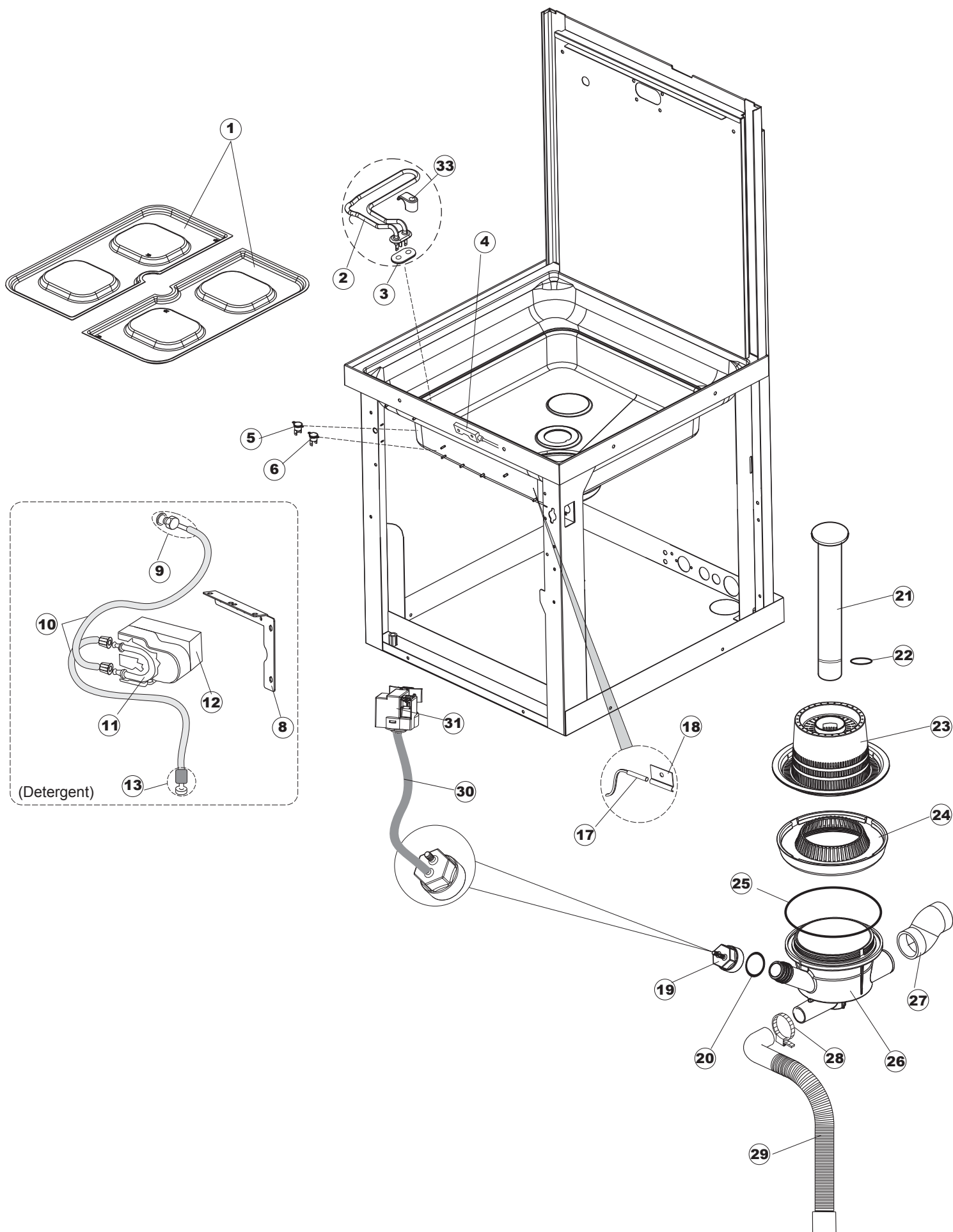
16	41042	TAMPONE ADESIVO TEMPON ADHÉSIF KLEBENPER SCHLEGER ADHESIVE PLUG ESPESORE ADHESIVO PANELES LATERALES LP	
17	80240	TELAIO PORTACESTO SUPPORT PANIER RAHMEN, KORBHALTER DURCHSCHUBSPÜLAUTOM. D1000 RACK FRAME BASTIDOR PORTACESTA CAPOT D1000	
18	69571PJ	PANNELLO LATERALE SINISTRO PROJECT PANNEAU LATERAL GAUCHE PROJECT LINKEN SEITENWAND PROJECT LEFT SIDE PANEL PROJECT PANEL LATERAL IZQUIERDO PROJECT	
19	69572PJ	PANNELLO LATERALE DESTRO SISTEMA PROJECT PANNEAU LATERAL DROITE REICHT SEITENWAND RIGHT SIDE PANEL PANEL LATERAL DERECHO	
20	80078	STAFFA SOTTOPIANI GOLD PG FINITO console de support BEF.WINKEL, UNTERABLAGEF.L.GOLD PG MASCHINENFERTIG support bracket ESC. FIJACION APOYOS SUPERFICIES GOLD PG	
21	73100	PIEDE VERRIN FUSS FOOT PATA REGULABLE X CAPOTA 3LINEA	
22	69590	PANNELLO ANTERIORE PANNEAU AVANT VORDERPANEEL FRONT PANEL PANEL FRONTAL	
23	70200	LEVA SX CAPP levier GAUCHE CAPOT LINKEN HEBEL LEFT LEVER HOOD palanca ISQUERDIA CAPUCHA	
24	70201	LEVA DX CAPP levier DROITE CAPOT RECHTEN HEBEL RIGHT LEVER HOOD palanca DERECHA CAPUCHA	



Listino componenti per pagina 2

1	74043	PANNELLO COMPONENTI ELETTRICI PANNEAU COMPOSANTS ELECTRIQUES PANEEL FUER ELEKTRISCHE BAUELEMENTE WIRING PANEL PANEL COMPONENTES ELECTRICOS	
3	215042-1 <i>Recommended spare parts</i>	SCHEDA ELETTRONICA GET50.2 CARTE ELECTRONIQUE GET50.2 KARTE ELEKTRONIK GET50.2 MAIN BOARD GET50.2 TARJETA ELECTRONICA GET50.2	
5	229042 <i>Recommended spare parts</i>	CONTATTO AUSILIARIO CONTACT AUXILIAIRE SCHALTSCHÜTZ AUXILIARY CONTACT AUXILIAR DE CONTACTO	
7	73350 <i>Recommended spare parts</i>	CONTATTORE CONTACTEUR KONTAKT-GEBER 230-50/60HZ CONTACTOR CONTACTOR	
10	220011	MORSETTIERA bornier pour le raccordement * KLEMMENBRETT, 5-POLIG + ERDUNG FV.122 TERMINAL BLOCK bloque de terminales	
11	228010 <i>Recommended spare parts</i>	FUSIBILE 5X20 T4A RITARDATO 250V FUSIBLE SICHERUNG 5X20 T4A FUSE FISIBLE	
18	80934 <i>Recommended spare parts</i>	CAVO FLAT CABLE FLAT FLACHKABEL FLAT CABLE CABLE FLAT	
19	80889 <i>Recommended spare parts</i>	TASTIERA COMANDI touche clavier commande TASTATURPLATINE CONTROL KEYBOARD TECLADO DE COMANDOS	
20	419036 <i>Recommended spare parts</i>	DISTANZIALI SCHEDA ENTRETOISE X CARTE ELECTRONIQUE ABSTANDSSTÜCK, M3 INTERFACE BOARD DISTANCE KEEPERS DISTANCIADOR M3	
21	417119 <i>Recommended spare parts</i>	DADO ECROU SCHRAUBENMUTTER, M3 KUNST. WEISS NUT TUERCA	
22	74794	INTERFACCIA ADESIVA DI CONTROLLO T110E (PROJECT) 3 CICLI INTERFACE ADHÉSIVE CONTRÔLE T110E (PROJECT) 3 CICLI TASTATURFOLIEN T110E (PROJECT) 3 CICLI CONTROL ADHESIVE INTERFACE T110E (PROJECT) 3 CICLI INTERFAZ ADHESIVA DE CONTROL T110E (PROJECT) 3 CICLI	
23	CWP2	PIEDINI SUPPORTO SCHEDA ELETTRONICA VERRIN STÜTZFÜSSE FÜR PLATINE (ART.DRA6A) FOOT PATA	
24	DEP521	PASSACAVO PRESSE ÉTOUPE KABELSCHELLE PG21 (BER 4721) CABLE GLAND PASACABLES	
25	80997	CAVO ALIMENTAZIONE 5X2,5MM (H07RN-F) CÂBLE D'ALIMENTATION ANSCHLUSSKABEL 400V power cable CABLE ALIMENTACION 5X2,5MM (H07RN-F)	
26	80731	TENDINA PVC PROTEZIONE CABLAGGIO RIDEAU PVC PROTECTION ÉLECTRIQUE VORHANG, PVC EL. SCHUTZ KOMPL. PVC CURTAIN FOR ELECTRIC PROTECTION PVC CORTINAS ELÉCTRICAS PROTECCIÓN	

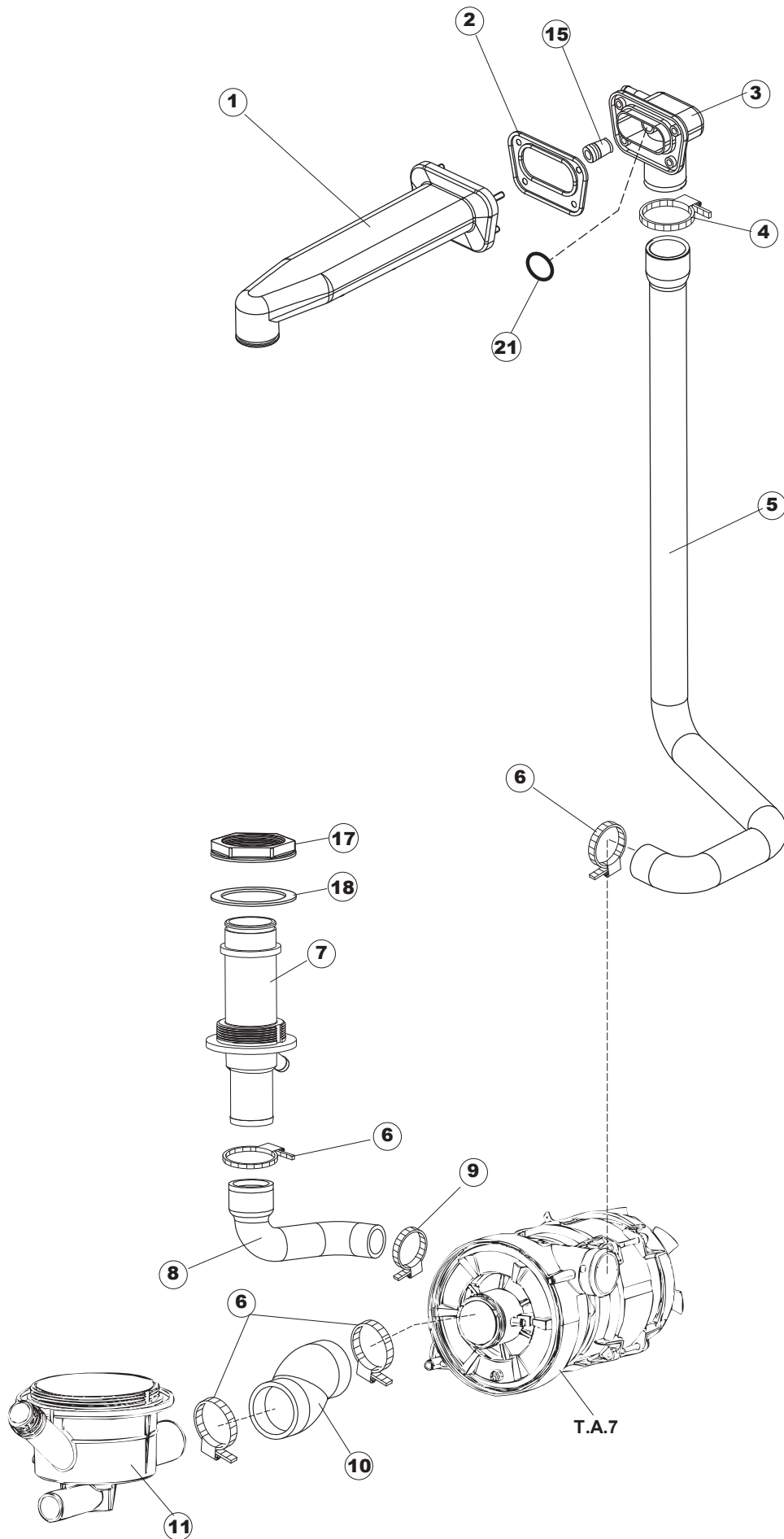
28	H.228047	PORTAFUSIBILE PORTE-FUSIBLE *SICHERUNGSTRAGER FUSE-HOLDER PORTA-FUSIBLE	
29	H.228048	TAPPO PORTAFUSIBILE BOUCHON * SICHERUNGSTRAGER-VERSCHLUSS PLUG TAPON	
30	228010 <i><u>Recommended spare parts</u></i>	FUSIBILE 5X20 T4A RITARDATO 250V FUSIBLE SICHERUNG 5X20 T4A FUSE FISIBILE	



Listino componenti per pagina 3

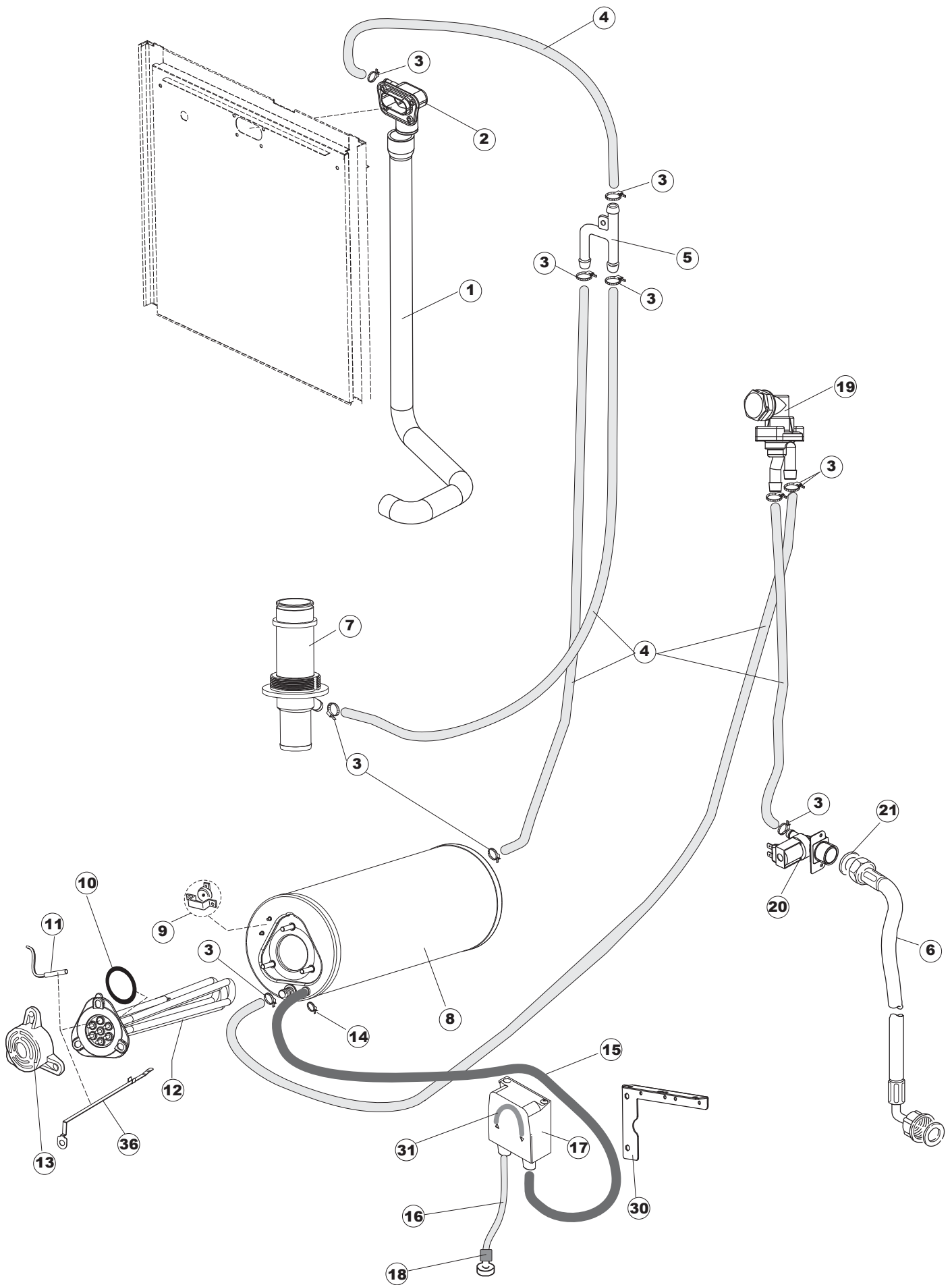
1	121123	FILTRO FILTRE INTEGRAL KUNSTSTOFFTANK FILTER STAINER FILTRO	
2	74168	RESISTENZA ELETTRICA 2100W 230V RESISTANCE SURCHAUFFER 2100W 230V HEIZUNG 2100W 230V BOILER HEATING ELEMENT 2100W 230V RESISTENCIA 2100W 230V	
3	437086	GUARNIZIONE RESISTENZA VASCA JOINT RESISTANCE CUVE DICHTUNG, TANKWIDERSTAND PACKING OF THE TANK RESISTANCE JUNTA RESISTENCIA CUBETA	
4	80871 <i><u>Recommended spare parts</u></i>	MICRO MAGNETICO CONTACTE MAGNETIQUE TUERKONTAKTSCHALTER MAGNETIC DOOR SWITCH CONTACTO MAGNETICO	
5	236061 <i><u>Recommended spare parts</u></i>	TERMOSTATO SIC. 127° THERMOSTAT 127° THERMOSTAT 127° THERMOSTAT 127° TERMOSTATO CALENT. 127°	
6	236052 <i><u>Recommended spare parts</u></i>	TERMOSTATO 90°+/-3°C THERMOSTAT 90°+/-3°C THERM..KONT. L.90ø+/-3ø(2611576) THERMOSTAT 90°+/-3°C TERM.CONTACTO CALENT./L.90°+/-3°	
8	74052	STAFFA DOSATORI EQUERRE DE FIXATION STÜTZWINKEL BRACKET BRIDA DE APOYO	
9	999348	GRUPPO RACCORDO INIEZIONE DETERGENTE JUNCTION CUVE POUR INJECTION DE DÉTERGEN WASCHMITTEL INJECTION SPÜLANSCHLUSS DETERGENT TANK FITTING UNIÓN CUBA PARA INYECCIÓN DE DETERGENTE	
10	143194 <i><u>Recommended spare parts</u></i>	TUBO 4x6 CRISTAL TRASPARENTE TUYAU SCHLAUCH 4X6 CRISTAL, DURCHS. PIPE MANGUITO	
11	143258 <i><u>Recommended spare parts</u></i>	TUBO "SANTOPRENE" CON RACCORDO TUYAU "SANTOPRENE" MEMBRANSCHLAUCH SANTOPREN "SANTOPRENE" PIPE TUBITO SANTOPRENE	
12	73917	DOSATORE DETERGENTE P08AA0103148 (S.PROJECT) distributeur de détergent P08AA0103148 (S.PROJECT) Waschmittelschublade P08AA0103148 (S.PROJECT) detergent dispenser P08AA0103148 (S.PROJECT) dispensador de detergente P08AA0103148 (S.PROJECT)	DD
13	121993	GRUPPO FILTRO+ZAVORRA DOSATORE filtre distributeur FILTERANORDNUNG filter aid dispenser filtro dispensador	
17	231016 <i><u>Recommended spare parts</u></i>	SONDA TEMPERATURA SONDE TEMPERATURSONDE TEMPERATURE PROBE SONDA TEMPERATURA (AMPOLLA ACERO)	
18	H.775489-001	CLIP SONDA TEMPERATURA D5 soutien sonde de température KLIPP FÜR TEMP.FÜHLER D5 Support temperature probe Soporte sonda de temperatura	
19	107013 <i><u>Recommended spare parts</u></i>	TRAPPOLA ARIA cloche de pression LUFT-GLOCKE DES DRUCKSCHALTERS AIR TRAP for pressure switch CAMPANA PRESOSTATO	

20	456073 <i><u>Recommended spare parts</u></i>	O-RING O-RING O-RING O-RING O-RING	
21	142058	TROPPOPIENO TROP PLEIN ÜBERLAUFROHR LA50 OVERFLOW PIPE REBOSE	
22	456081 <i><u>Recommended spare parts</u></i>	guarnizione o-ring joint torique o-ring O-RING O-ring junta tórica o-ring	
23	121120	FILTRO VASCA FILTRE SIEB STAINER FILTRO	
24	429072 <i><u>Recommended spare parts</u></i>	GHIERA DOUILLE ZWINGE RING NUT CONTERA VIROLA	
25	456076	O-RING O-RING TORISCHE DICHTUNG D.I.135.9X5.33 O-RING O-RING	
26	74073 <i><u>Recommended spare parts</u></i>	CORPO ASPIRAZIONE E SCARICO CORPS D'ASPIRATION/VIDANGE ABSAUG-UND ABFLUSSKOERPER ASPIRATION AND DRAIN BODY CUERPO ASPIRACION/DESCARGA	
27	127082	MANICOTTO MANDATA LAVAGGIO tuyau de refoulement à laver NACHSPUEL-FOERDERUNGSBOGEN DELIVERY WASH HOSE MANGUITO LAVADO	
28	CFS1	FASCETTA SERRAGGIO TUBI Collier de serrage SCHLAUCHSCHELLE TORRO 35-50/9 HOSE CLAMP ABRAZADERA	
29	143252	TUBO SCARICO LA50 TUYAU DE VIDANGE ABLAUFLEITUNG DRAIN HOSE TUBO DESCARGA	
30	143235 <i><u>Recommended spare parts</u></i>	TUBO 4x7 SILICONE TRASPARENTE CRP TUYAU SCHLAUCH 4X7 SILIKON DURCHS. CRP PIPE MANGUITO	
31	224031 <i><u>Recommended spare parts</u></i>	PRESSOSTATO DIGITALE 560-AC-002 PRESSOSTAT DRUCKWAECHTER PRESSURE SWITCH PRESOSTATO	
33	999351	GRUPPO RACCORDO INIEZIONE DETERGENTE GROUPE CAPTURE RESERVOIR RESISTANCE GRUPPE FANGEN BEHÄLTER WIDERSTAND GROUP STOPPED TANK HEATER GRUPO DE TANQUE CAPTURA DE RESISTENCIA	



Listino componenti per pagina 4

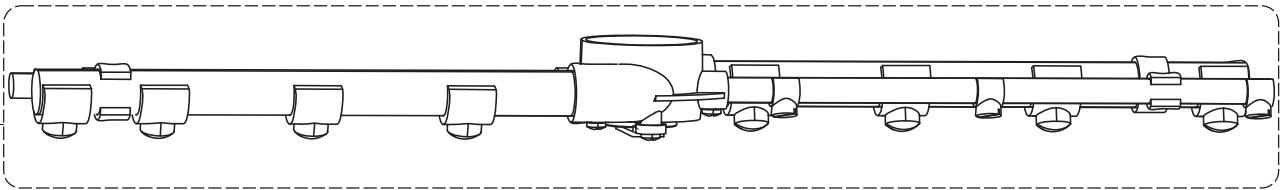
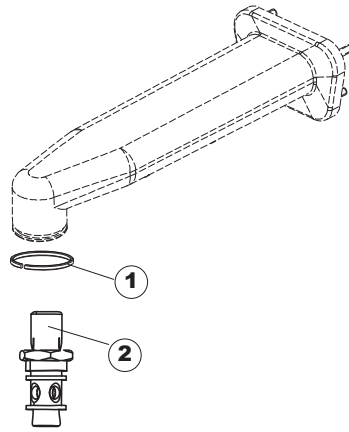
1	69017 <i><u>Recommended spare parts</u></i>	COLLETTORE LAVAGGIO COLLECTEUR ZULAULEITUNG MAINFOLD COLECTOR	
2	80178 <i><u>Recommended spare parts</u></i>	GUARNIZIONE JOINT DICHTUNG GASKET JUNTA	
3	80174	RACCORDO LAVAGGIO RACCORD VERBINDUNGSST., OB.SPÜL. AUSS.GOLD (NEUTR. FARBE) PIPE FITTING RECOGIDA	
4	CFS1A	FASCETTA SERRAGGIO TUBI Collier de serrage SCHELLE, SCHRAUBE TORRO W1/W2B 40-60/12 HOSE CLAMP ABRAZADERA	
5	69020	TUBO MANDATA LAVAGGIO TUYAU DRUCKSCHLAUCH PIPE MANGUITO	
6	CFS1	FASCETTA SERRAGGIO TUBI Collier de serrage SCHLAUCHSCHELLE TORRO 35-50/9 HOSE CLAMP ABRAZADERA	
7	69016	COLLETTORE LAVAGGIO COLLECTEUR SAMMELLEITUNG MAINFOLD COLECTOR	
8	127085	MANICOTTO MANDATA LAVAGGIO tuyau de refoulement à laver SAUGMUFFE PUMPE LA50 DELIVERY WASH HOSE MANGUITO LAVADO	
9	423008	FASCETTA SERRAGGIO TUBI doppio filo con vite 25-29 Collier de serrage SCHLAUCHSCHELLE D20X32X9 TYP TORRO ACC.W1 HOSE CLAMP ABRAZADERA	
10	127082	MANICOTTO MANDATA LAVAGGIO tuyau de refoulement à laver NACHSPUEL-FOERDERUNGSBOGEN DELIVERY WASH HOSE MANGUITO LAVADO	
11	74073 <i><u>Recommended spare parts</u></i>	CORPO ASPIRAZIONE E SCARICO CORPS D'ASPIRATION/VIDANGE ABSAUG-UND ABFLUSSKOERPER ASPIRATION AND DRAIN BODY CUERPO ASPIRACION/DESCARGA	
15	441009 <i><u>Recommended spare parts</u></i>	GUARNIZIONE IN GOMMA RISCIAQUO JOINT EINSATZ, DICHT. D10 SAMM.S621- GASKET JUNTA	
17	429073	GHIERA DOUILLE MUTTER RING NUT CONTERA VIROLA	
18	437102	GUARNIZIONE CONDOTTO INFER.LA50 JOINT DICHTUNG GASKET JUNTA	
21	CGR3037 <i><u>Recommended spare parts</u></i>	guarnizione o-ring joint torique o-ring O-RING 3037 NITRILGUMMI 9,19X2,62 O-ring junta tórica o-ring	



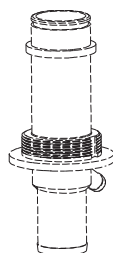
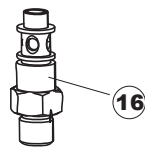
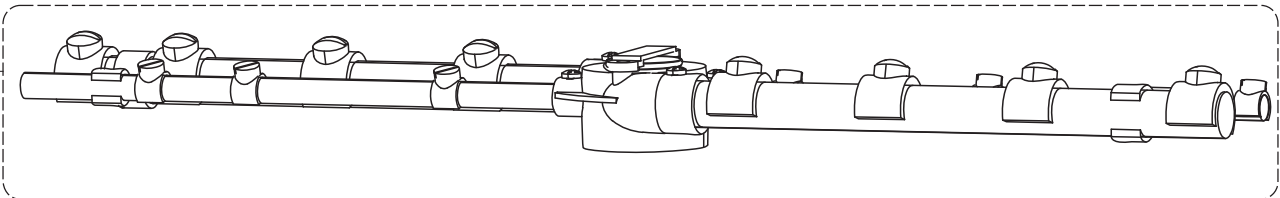
Listino componenti per pagina 5

1	69020	TUBO MANDATA LAVAGGIO TUYAU DRUCKSCHLAUCH PIPE MANGUITO	
2	80174	RACCORDO LAVAGGIO RACCORD VERBINDUNGSST., OB.SPÜL. AUSS.GOLD (NEUTR. FARBE) PIPE FITTING RECOGIDA	
3	927322	FASCETTA SERRAGGIO TUBI Collier de serrage SCHLAUCHSCHELLE 12-22 HOSE CLAMP ABRAZADERA	
4	143010	TUBO IN GOMMA 12X19,5 (FOOD QUALITY) TUYAU EN CAOUTCHOUC 12X19,5 ROHR, DRUCKSCHALTER TP 12X19.5 RUBBER PIPE 12X19.5 TUBO PRES. TP 12X19. 5	
5	143268 <i><u>Recommended spare parts</u></i>	GIUNZIONE A "Y" DI RISCIAQUO JONCTION "Y" Y-STUECK JuNCTION "Y" UNION "Y"	
6	143270	TUBO CARICO 3/4G D.I.10 2MT TUYAU SCHLAUCH INLET WRAS PIPE TUBO WRAS	
7	69016	COLLETTORE LAVAGGIO COLLECTEUR SAMMELLEITUNG MAINFOLD COLECTOR	
8	104060	BOILER CHAUDIÈRE BOILER BOILER CALDERIN	
9	926189 <i><u>Recommended spare parts</u></i>	TERMOSTATO 95°C THERMOSTAT DE SURETE' A CONTACT SICHERHEITSTHERMOSTAT 95°C CONTACT SAFETY-THERMOSTAT TERMOSTATO CALENTADOR SEG. 95°C	
10	456002	guarnizione o-ring joint torique o-ring O-Ring 48x6,2 O-ring junta tórica o-ring	
11	231016 <i><u>Recommended spare parts</u></i>	SONDA TEMPERATURA SONDE TEMPERATURSONDE TEMPERATURE PROBE SONDA TEMPERATURA (AMPOLLA ACERO)	
12	230020 <i><u>Recommended spare parts</u></i>	RESISTENZA 8000W RESISTANCE HEIZUNG 8000/220/380 B S651-3- HEATING ELEMENT RESISTENCIA	
13	69870	PROTEZIONE RESISTENZA BOILER PROTECTION RESISTANCE BOILER HEIZUNGSCHUETZ DES WARMWASSERBEREITERS BOILER HEATING ELEMENT PROTECTION PROTECCION RESISTENCIA CALENTADOR	
14	423010	FASCETTA STRINGITUBO IPO TORRO 8-12/7.5 W1 COLLIER DE SERRAGE SCHELLE, D8X12X7,5 TYP TORRO ACC.W2 HOSE CLAMP ABRAZADERA	
15	143005 <i><u>Recommended spare parts</u></i>	TUBO IN GOMMA TELATA 5X12 NERO TUYAU EN CAOUTCHOUC LIN 5X12 NOIR SCHLAUCH TP 5X11 (CASER/15/NL C4N) LINEN RUBBER PIPE 5X12 - BLACK TUBO PRES. TP 5x11 (CASER/15/NL C4N)	

16	H.775601 <u>Recommended spare parts</u>	TUBO 4x6 CRISTAL BLUE PVC TUYAU SCHLAUCH 4x6 CRISTAL BLAU PVC PIPE MANGUITO	
17	73916	DOSATORE BRILLANTANTE P08CA030528 (S.PROJECT) distributeur de produit de rinçage P08CA030528 (S.PROJECT) Klarspüler DOSIERGERAET P08CA030528 (S.PROJECT) RINSE AID-DISPENSER P08CA030528 (S.PROJECT) DOSIFICADOR ABRILLANTADOR P08CA030528 (S.PROJECT)	
18	121993	GRUPPO FILTRO+ZAVORRA DOSATORE filtre distributeur FILTERANORDNUNG filter aid dispenser filtro dispensador	
19	144010NT <u>Recommended spare parts</u>	VALVOLA A/R CAPLET Rückschlagventil non-return valve válvula de retención	
20	240016 <u>Recommended spare parts</u>	ELETTROVALVOLA ELECTROVANNE ZUFLUSSVENTIL 1-WEG 3/4 230V DROSS.16L SOLENOID VALVE ELECTROVALVULA	
21	437041	GUARNIZIONE 3/4 JOINT DICHTUNG 3/4 GASVERSORG. GASKET JUNTA	
30	74052	STAFFA DOSATORI EQUERRE DE FIXATION STÜTZWINKEL BRACKET BRIDA DE APOYO	
31	143261 <u>Recommended spare parts</u>	TUBO SILICONE TUBE MEMBRANSCHLAUCH HOSE TUBITO	
36	69871	PORTASONDA SUPPORT DE SONDE SONDENHALTER PROBE HOLDER SOPORTE DE SONDA	

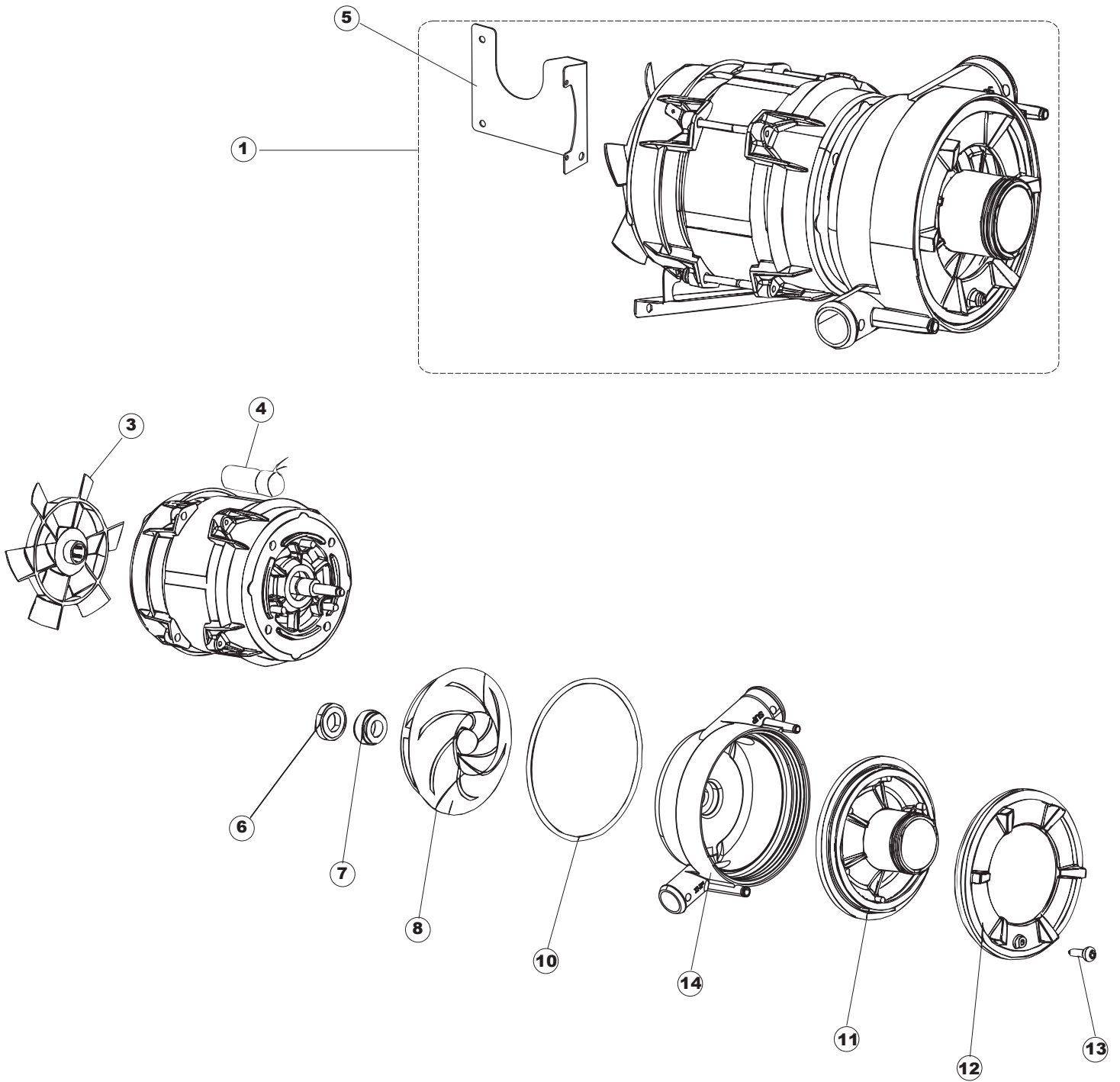


10



Listino componenti per pagina 6

1	80184	ANELLO TENUTA PER SUPP.LAVAGGIO BAGUE GLEIT UND DICHTUNGSRING SEALING RING ANILLO ESTANQ. PARA SOP.LAVADO	
2	69882	PERNO SUP. LANCIA PROJECT PIVOT DREHARMSPINDEL PIVOT PERNO	
10	115950P	BRACCIO LAVAGGIO RISCIAQUO BRAS DE LAVAGE ET RINCAGE SPULEN UND WASCH ARM RINSE AND WASH ARM BRAZO LAVADO Y ACLARADO	
16	69881	PERNO INF. LANCIA PROJECT PIVOT DREHARMSPINDEL PIVOT PERNO	
17	429073	GHIERA DOUILLE MUTTER RING NUT CONTERA VIROLA	
18	437102	GUARNIZIONE CONDOTTO INFER.LA50 JOINT DICHTUNG GASKET JUNTA	



Listino componenti per pagina 7

1	74122 <i>Recommended spare parts</i>	ELETTROPOMPA MOTOPOMPE MOTORPUMPE ELECTROPUMP ELECTROBOMBA	
3	335015	VENTOLA POMPA 2400 VENTILATEUR POUR MOTOPOMPE LUFERRAD WASHPUMP FUN ROTOR PARA ELECTROBOMBA	
4	206002 <i>Recommended spare parts</i>	CONDENSATORE CONDENSEUR KONDENSATOR - 10 mF CAPACITOR CONDENSADOR	
5	69400	STAFFA POMPA LA50 console de support PUMPENTRÄGER support bracket ménsula de soporte	
6	141008	TENUTA MECC.FISSA POMPA(0146R) ETANCHEITE MECHANIQUE POUR MOTOPOMPE MECH. DICHTUNG FÜR WASCHPUMPE DER GLÄSERSPÜLER WASHPUMP SHAFT SEAL SELLO MECANICO PARA ELECTROBOMBA	
7	141009	TENUTA MECC.ROTANTE POMPA(0142R) ETANCHEITE MECHANIQUE POUR MOTOPOMPE MECH. DICHTUNG FÜR WASCHPUMPE DER GLÄSERSPÜLER WASHPUMP SHAFT SEAL SELLO MECANICO PARA ELECTROBOMBA	
8	124057	GIRANTE ELETTROPOMPA IMPULSEUR MOTOPOMPE PUMPENFLUEGEL ELECTROPUMP IMPELLER ROTOR PARA ELECTROBOMBA	
10	456078	O-RING O-RING TORISCHE DICHTUNG O-RING O-RING	
11	480148	TAPPO CHIOCCIOLA POMPA(2399R) BOUCHON ABDECKUNG PUMPE PLUG TAPON	
12	429074	GHIERA DOUILLE RING RING NUT CONTERA VIROLA	
13	486242	VITE 3.5X13 TBC UNI6954(0062R) VIS SCHRAUBE 3.5X13 SCREW TORNILLO	
14	116041	CORPO POMPA DOPPIA MANDATA LA50 couvercle de la turbine PUMPENGEHAEUSE ELECTROPUMP HOUSING ESPIRAL PARA ELECTROBOMBA	

RECOMMENDED SPARE PARTS

PAG 1	POS 14	COD 80105	TAMPONE FERMA CAPP SHOCK-ABSORBER FOR CAPOT PUFFER FÜR DURCHSCHUBSPÜLAUTOM. PARE-CHOCS CAPOT GUARDAGOLPES CAPOT
PAG 2	POS 3	COD 215042-1	SCHEDA ELETTRONICA GET50.2 CARTE ELECTRONIQUE GET50.2 KARTE ELEKTRONIK GET50.2 MAIN BOARD GET50.2 TARJETA ELECTRÓNICA GET50.2
PAG 2	POS 5	COD 229042	CONTATTO AUSILIARIO CONTACT AUXILIAIRE SCHALTSCHÜTZ AUXILIARY CONTACT AUXILIAR DE CONTACTO
PAG 2	POS 7	COD 73350	CONTATTORE CONTACTEUR KONTAKT-GEBER 230-50/60HZ CONTACTOR CONTACTOR
PAG 2	POS 11	COD 228010	FUSIBILE 5X20 T4A RITARDATO 250V FUSIBLE SICHERUNG 5X20 T4A FUSE FISIBLE
PAG 2	POS 18	COD 80934	CAVO FLAT CABLE FLAT FLACHKABEL FLAT CABLE CABLE FLAT
PAG 2	POS 19	COD 80889	TASTIERA COMANDI touche clavier commande TASTATURPLATINE CONTROL KEYBOARD TECLADO DE COMANDOS
PAG 2	POS 20	COD 419036	DISTANZIALI SCHEDA ENTRETOISE X CARTE ELECTRONIQUE ABSTANDSSTÜCK, M3 INTERFACE BOARD DISTANCE KEEPERS DISTANCIADOR M3
PAG 2	POS 21	COD 417119	DADO ECROU SCHRAUBENMUTTER, M3 KUNST. WEISS NUT TUERCA
PAG 2	POS 30	COD 228010	FUSIBILE 5X20 T4A RITARDATO 250V FUSIBLE SICHERUNG 5X20 T4A FUSE FISIBLE
PAG 3	POS 4	COD 80871	MICRO MAGNETICO CONTACTE MAGNETIQUE TUERKONTAKTSCHALTER MAGNETIC DOOR SWITCH CONTACTO MAGNETICO
PAG 3	POS 5	COD 236061	TERMOSTATO SIC. 127° THERMOSTAT 127° THERMOSTAT 127° THERMOSTAT 127° TERMOSTATO CALENT. 127°
PAG 3	POS 6	COD 236052	TERMOSTATO 90°+/-3°C THERMOSTAT 90°+/-3°C THERM.,KONT. L.90ø+/-3ø(2611576) THERMOSTAT 90°+/-3°C TERM.CONTACTO CALENT./L.90°+/-3°
PAG 3	POS 10	COD 143194	TUBO 4x6 CRISTAL TRASPARENTE TUYAU SCHLAUCH 4X6 CRISTAL, DURCHS. PIPE MANGUITO
PAG 3	POS 11	COD 143258	TUBO "SANTOPRENE" CON RACCORDO TUYAU "SANTOPRENE" MEMBRANSCHLAUCH SANTOPREN "SANTOPRENE" PIPE TUBITO SANTOPRENE
PAG 3	POS 17	COD 231016	SONDA TEMPERATURA SONDE TEMPERATURSONDE TEMPERATURE PROBE SONDA TEMPERATURA (AMPOLLA ACERO)

RECOMMENDED SPARE PARTS

PAG 3	POS 19	COD 107013	TRAPPOLA ARIA cloche de pression LUFT-GLOCKE DES DRUCKSCHALTERS AIR TRAP for pressure switch CAMPANA PRESOSTATO	
PAG 3	POS 20	COD 456073	O-RING O-RING O-RING O-RING O-RING	
PAG 3	POS 22	COD 456081	guarnizione o-ring joint torique o-ring O-RING O-ring junta tórica o-ring	
PAG 3	POS 24	COD 429072	GHIERA DOUILLE ZWINGE RING NUT CONTERA VIROLA	
PAG 3	POS 26	COD 74073	CORPO ASPIRAZIONE E SCARICO CORPS D'ASPIRATION/VIDANGE ABSAUG-UND ABFLUSSKOERPER ASPIRATION AND DRAIN BODY CUERPO ASPIRACION/DESCARGA	
PAG 3	POS 30	COD 143235	TUBO 4x7 SILICONE TRASPARENTE CRP TUYAU SCHLAUCH 4X7 SILIKON DURCHS. CRP PIPE MANGUITO	
PAG 3	POS 31	COD 224031	PRESSOSTATO DIGITALE 560-AC-002 PRESSOSTAT DRUCKWAECHTER PRESSURE SWITCH PRESOSTATO	
PAG 4	POS 1	COD 69017	COLLETTORE LAVAGGIO COLLECTEUR ZULAULEITUNG MAINFOLD COLECTOR	
PAG 4	POS 2	COD 80178	GUARNIZIONE JOINT DICHTUNG GASKET JUNTA	
PAG 4	POS 11	COD 74073	CORPO ASPIRAZIONE E SCARICO CORPS D'ASPIRATION/VIDANGE ABSAUG-UND ABFLUSSKOERPER ASPIRATION AND DRAIN BODY CUERPO ASPIRACION/DESCARGA	
PAG 4	POS 15	COD 441009	GUARNIZIONE IN GOMMA RISCIAQUO JOINT EINSATZ, DICHT. D10 SAMM.S621- GASKET JUNTA	
PAG 4	POS 21	COD CGR3037	guarnizione o-ring joint torique o-ring O-RING 3037 NITRILGUMMI 9,19X2,62 O-ring junta tórica o-ring	
PAG 5	POS 5	COD 143268	GIUNZIONE A "Y" DI RISCIAQUO JONCTION "Y" Y-STUECK JuNCTION "Y" UNION "Y"	
PAG 5	POS 9	COD 926189	TERMOSTATO 95°C THERMOSTAT DE SURETE' A CONTACT SICHERHEITSTHERMOSTAT 95°C CONTACT SAFETY-THERMOSTAT TERMOSTATO CALENTADOR SEG. 95°C	
PAG 5	POS 11	COD 231016	SONDA TEMPERATURA SONDE TEMPERATURSONDE TEMPERATURE PROBE SONDA TEMPERATURA (AMPOLLA ACERO)	
PAG 5	POS 12	COD 230020	RESISTENZA 8000W RESISTANCE HEIZUNG 8000/220/380 B S651-3- HEATING ELEMENT RESISTENCIA	

RECOMMENDED SPARE PARTS

PAG 5	POS 15	COD 143005	TUBO IN GOMMA TELATA 5X12 NERO TUYAU EN CAOUTCHOUC LIN 5X12 NOIR SCHLAUCH TP 5X11 (CASER/15/NL C4N) LINEN RUBBER PIPE 5X12 - BLACK TUBO PRES. TP 5x11 (CASER/15/NL C4N)	
PAG 5	POS 16	COD H.775601	TUBO 4x6 CRISTAL BLUE PVC TUYAU SCHLAUCH 4x6 CRISTAL BLAU PVC PIPE MANGUITO	
PAG 5	POS 19	COD 144010NT	VALVOLA A/R CAPLET Rückschlagventil non-return valve válvula de retención	
PAG 5	POS 20	COD 240016	ELETTROVALVOLA ELECTROVANNE ZUFLUSSVENTIL 1-WEG 3/4 230V DROSS.16L SOLENOID VALVE ELECTROVALVULA	
PAG 5	POS 31	COD 143261	TUBO SILICONE TUBE MEMBRANSCHLAUCH HOSE TUBITO	
PAG 7	POS 1	COD 74122	ELETTROPOMPA MOTOPOMPE MOTORPUMPE ELECTROPUMP ELECTROBOMBA	
PAG 7	POS 4	COD 206002	CONDENSATORE CONDENSEUR KONDENSATOR - 10 mF CAPACITOR CONDENSADOR	